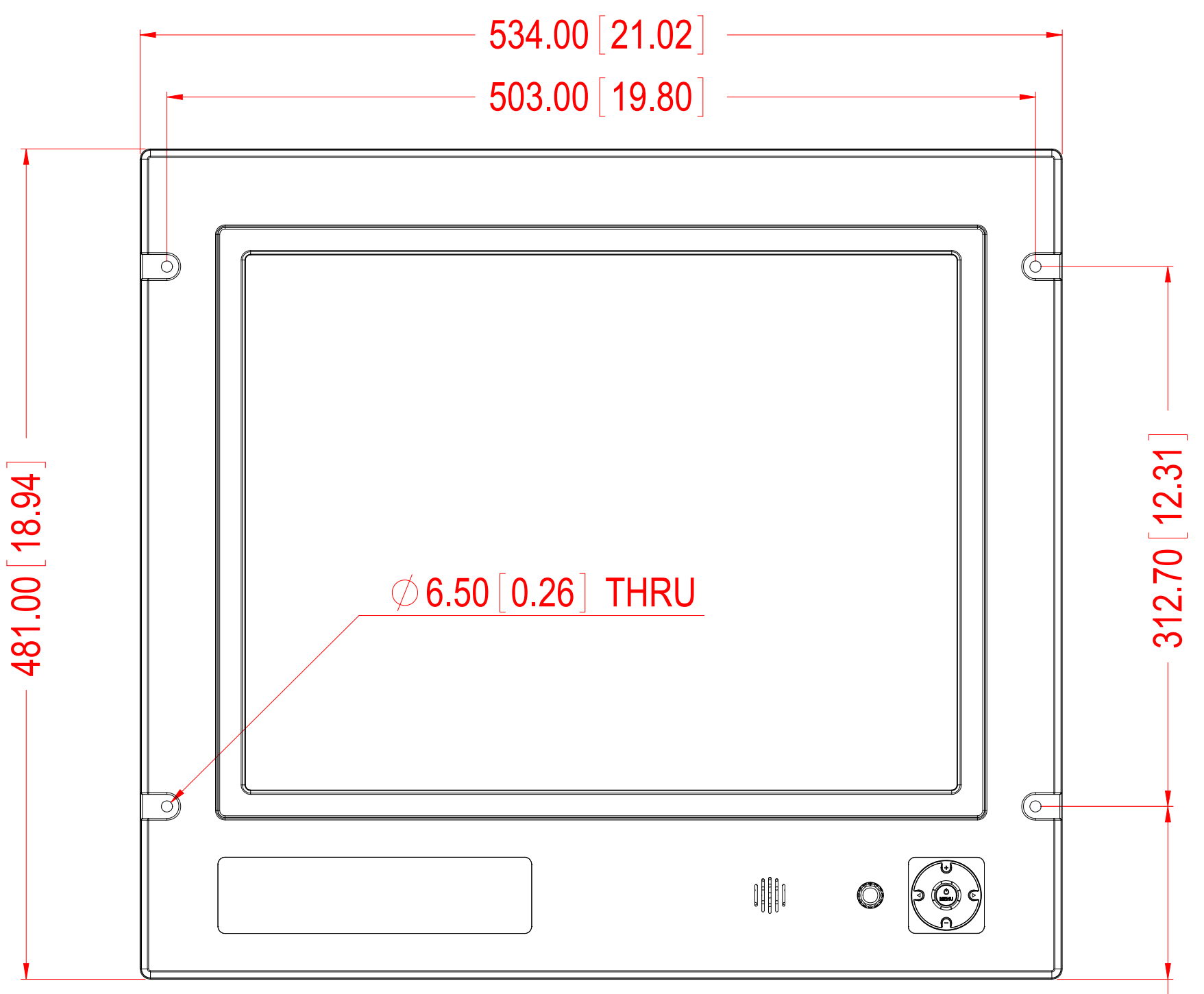
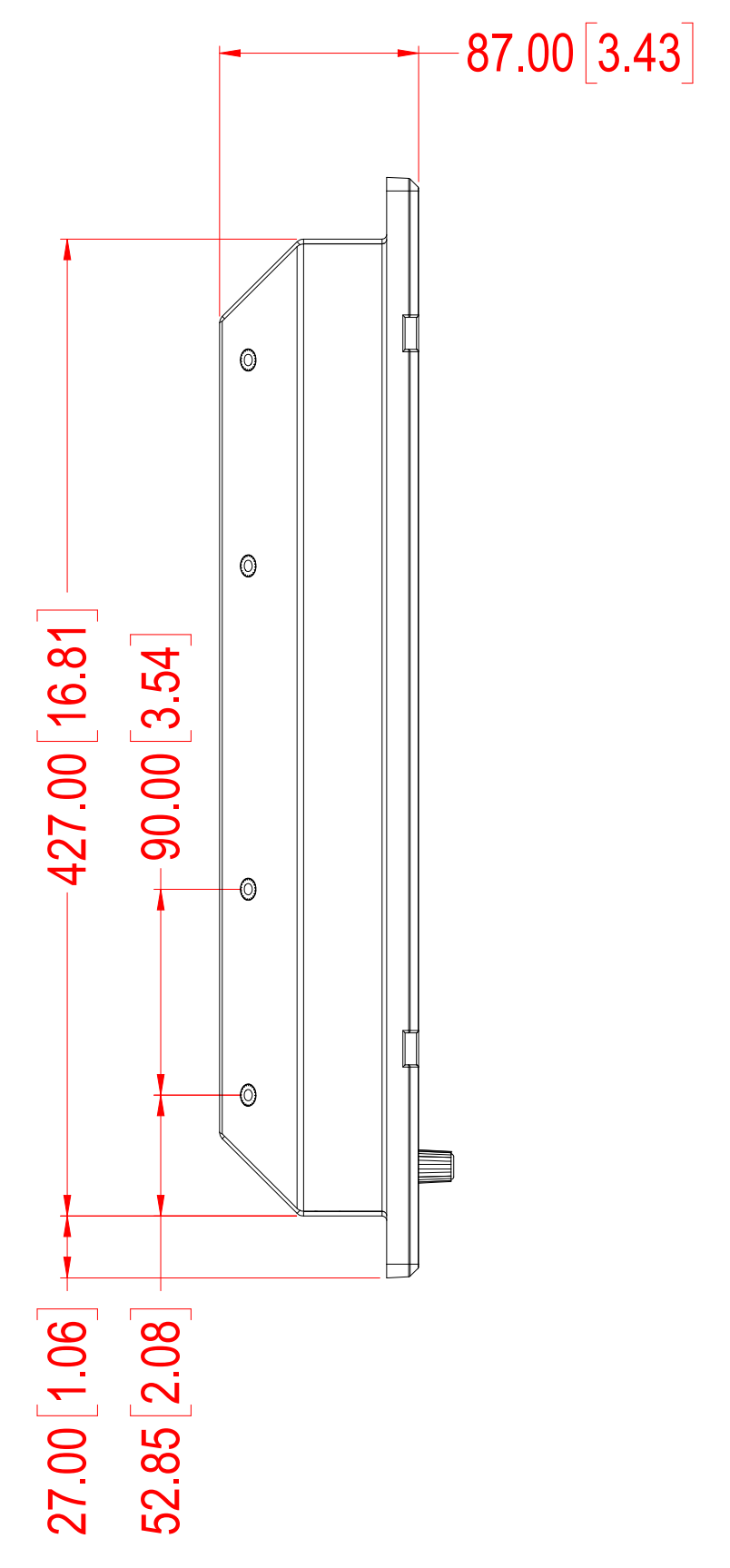


This document is the property of Hatteland Technology AS.
 This document and any authorized reproduction thereof, must not be used in
 any way against the interest of Hatteland Technology AS.
 Any authorized reproduction, in whole or in part, must include this legend.

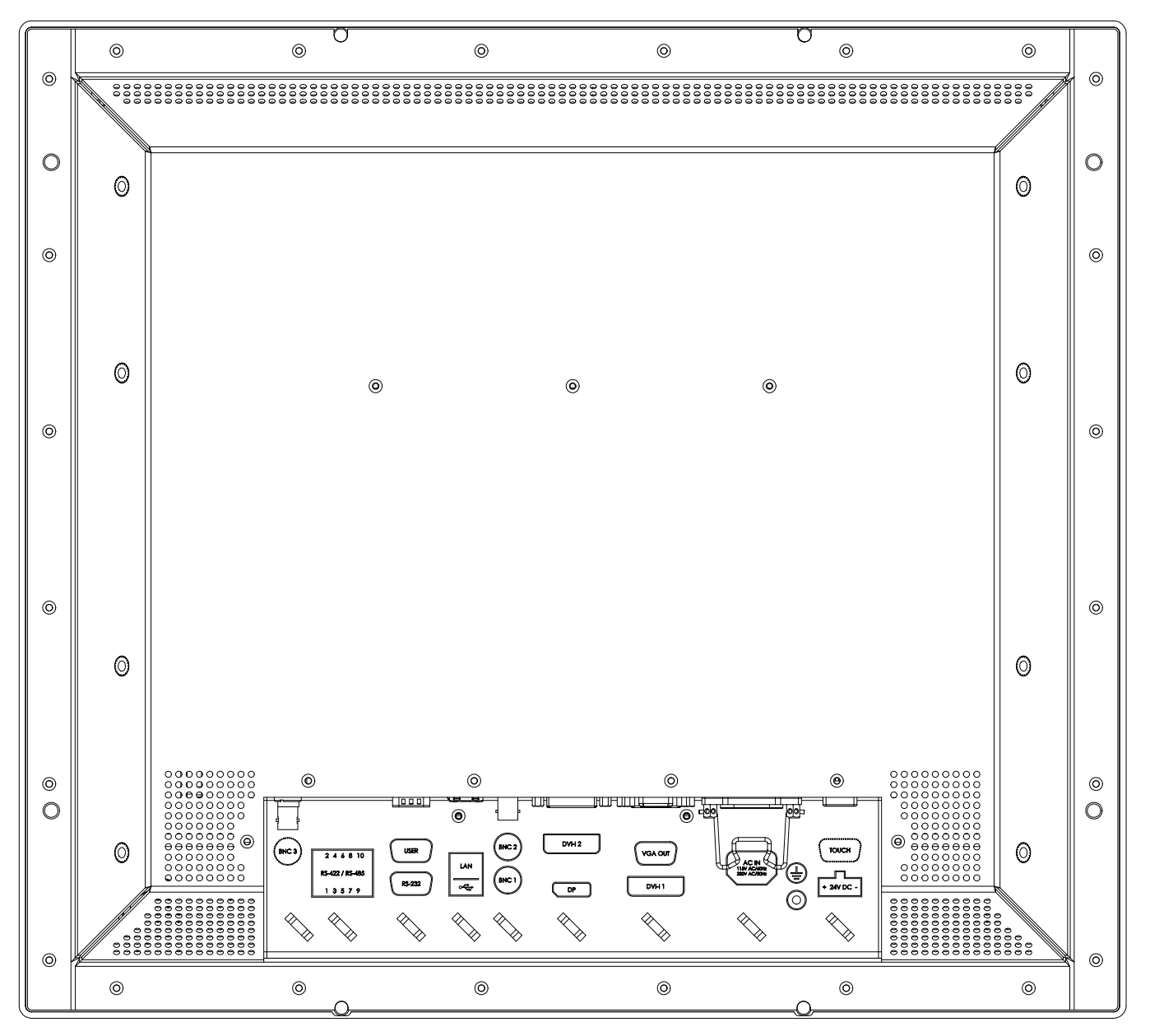
FRONT VIEW



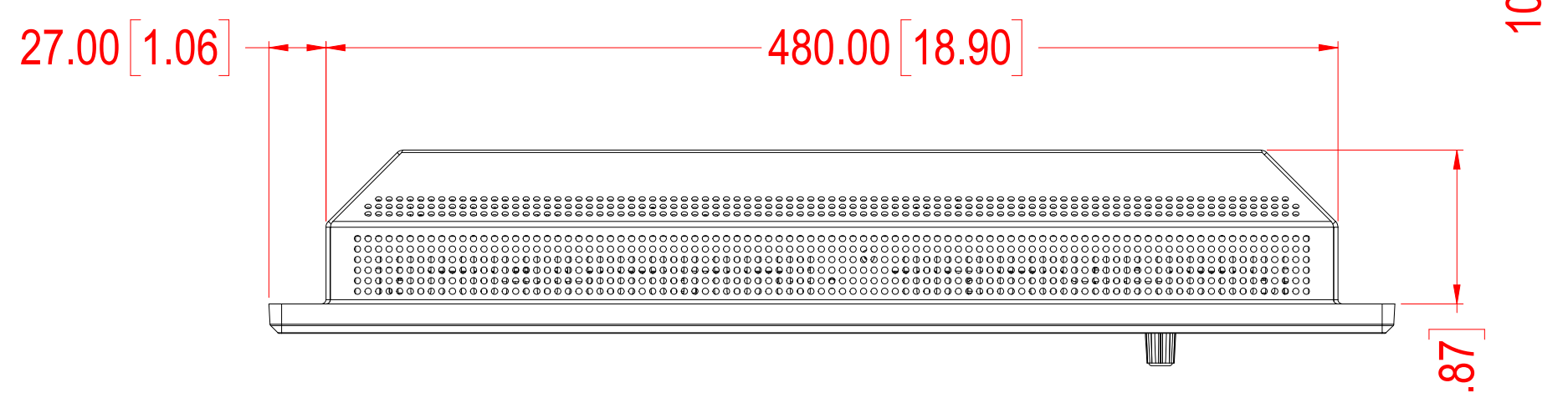
SIDE VIEW



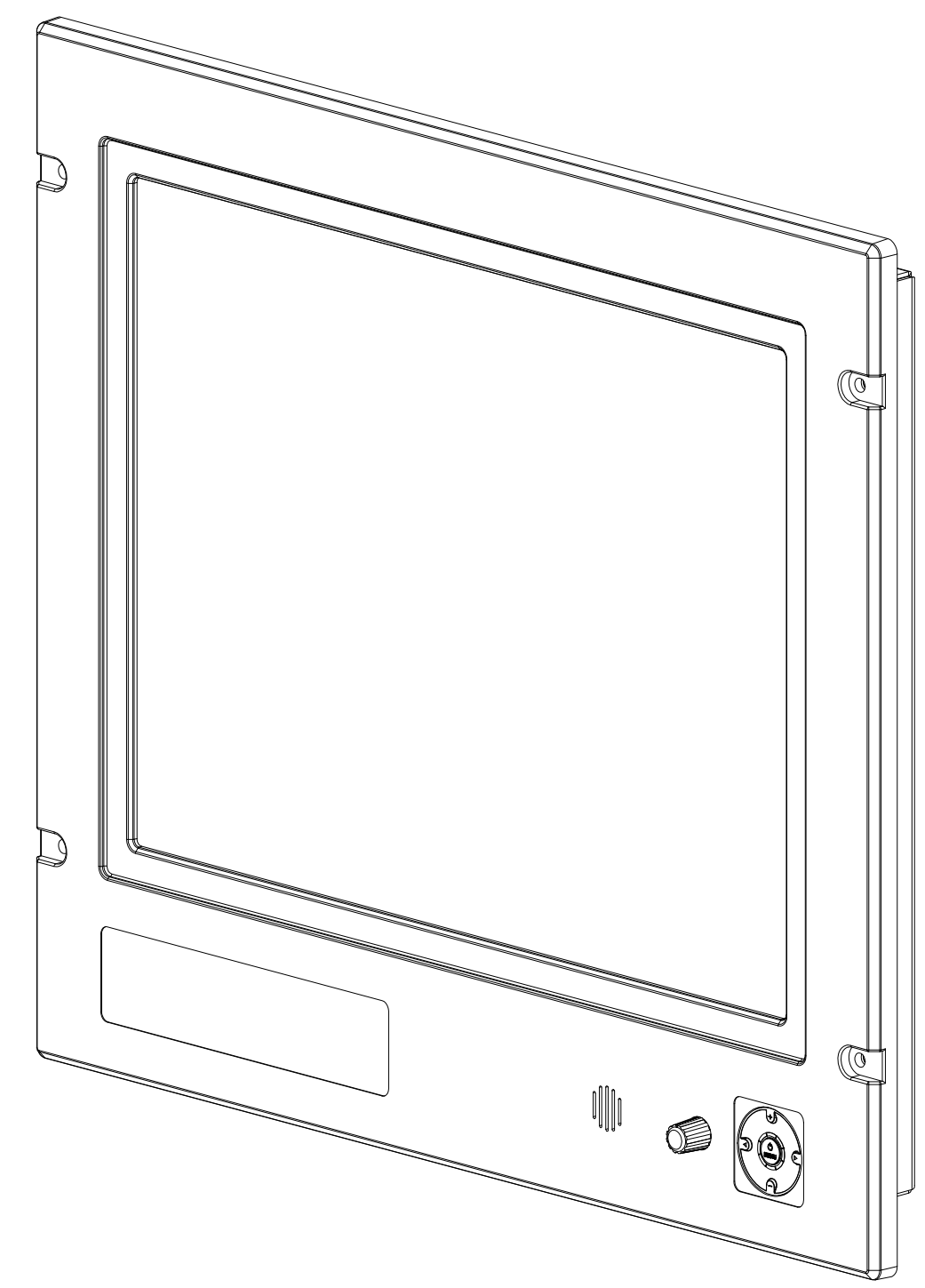
BACK VIEW



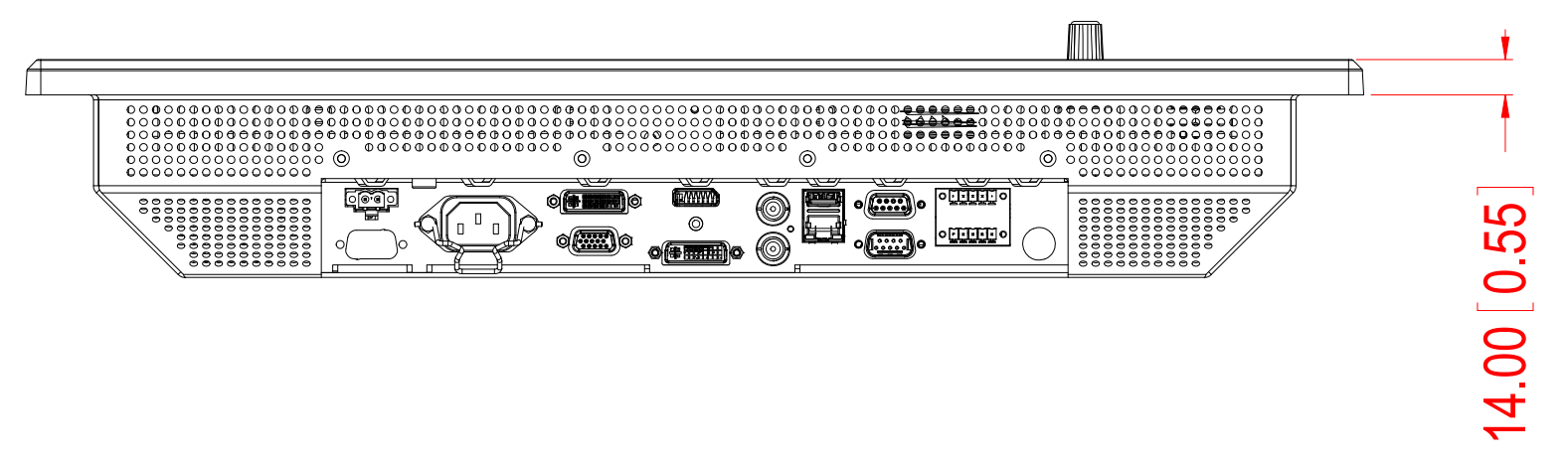
TOP VIEW



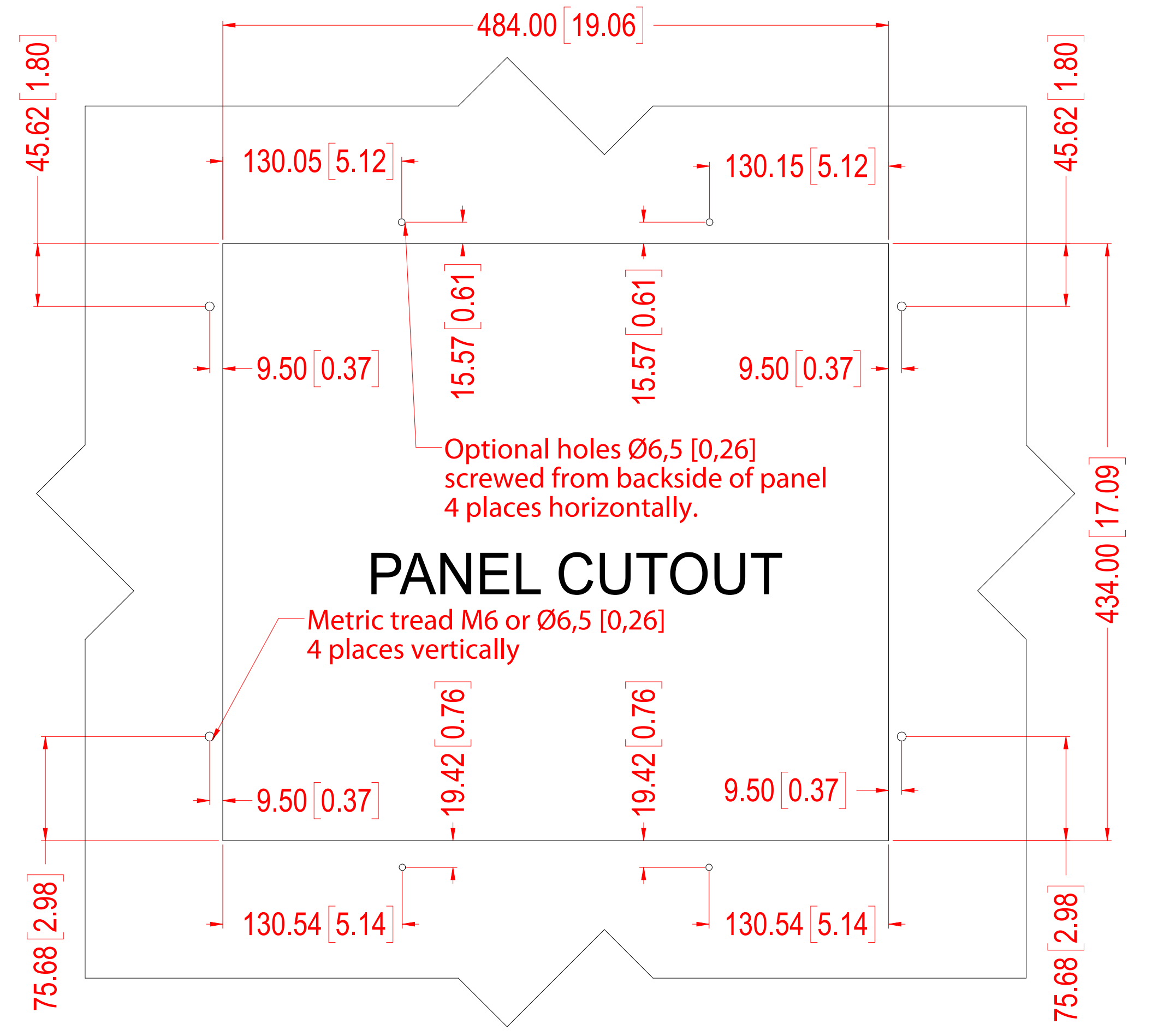
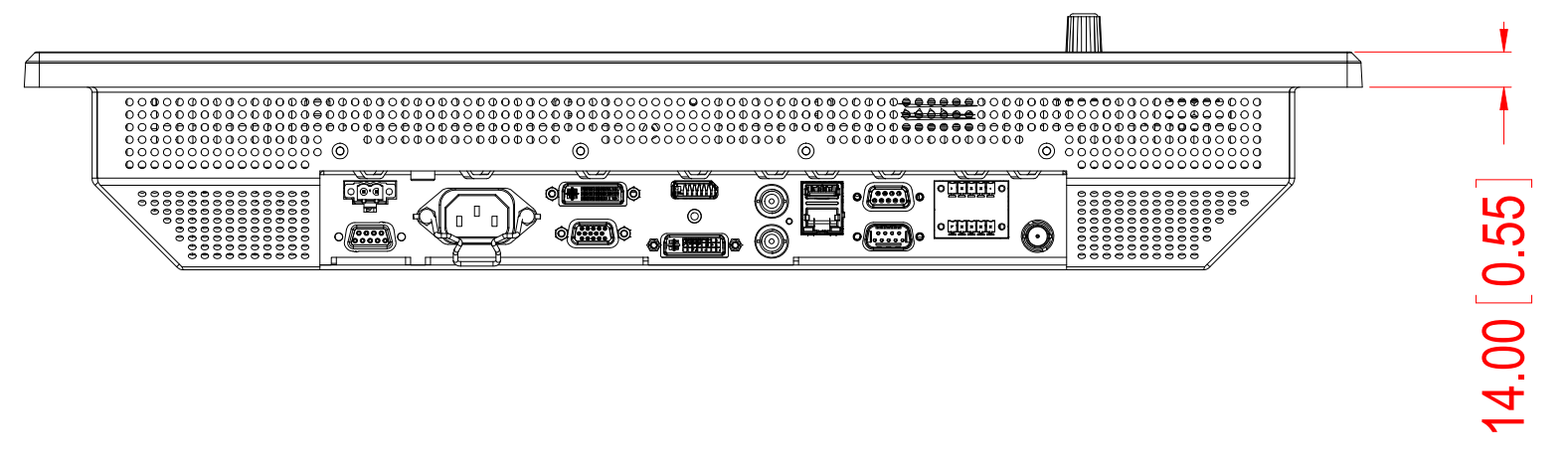
DIMETRIC VIEW



BOTTOM VIEW (Standard)



BOTTOM VIEW (With options)



PANEL CUTOUT

Units: mm [inches]

SALES DRAWING JH 20T17 MMD
 Measurements generally apply for all JH 20T17 MMD-xRx-xxxx Series 1 Generation 2 models

Creation date / by: / 08.07.20 8755	Projection:	A1	HATTELAND TECHNOLOGY an EMBRON Company
Last rev. date / by: /		Scale: 1:2	Approved by: _____ Revision: 01
Hatteland Technology AS Eikeskogvegen 52 N-5570 Aksdal		Tolerance: _____ ISO 2768-mK	Drawing number: A012401